



Electronic Scales

For FAST, ACCURATE weighing of small parts
(ALSO for dry-color and additives)



3

BENCH TOP SCALES

5,000 gram capacity

- Displays oz, g, and lbs
- Tare weight function excludes weight of container
- Easy to read LCD screen
- Overload/underload indicator



Item #124568

Stabilization Time: 2 sec.
Power Requirements: AC adaptor or 9VDC battery
Operating Temp.: 50° F to 104° F (10° C to 40° C)
Display: LCD 0.3" (0.8 cm) high
Dimensions: 5½" w x 7½" l x 1²⁹/₃₂"
Weight: 1 lb. (0.47 kg)

6,000 gram capacity

- Displays oz, g, lbs, ozt and dwt
- Tare weight function ideal for part counting
- Easy to read display
- Overload/underload indicator
- Energy-saving auto shut off
- 5 year warranty



Item #106529

Stabilization Time: 2½ - 3 sec.
Power Requirements: AC adaptor or (8) AA batteries
Operating Temp.: 50° F to 104° F (10° C to 40° C)
Display: LCD 0.5" high
Dimensions: 7" w x 7½" l x 2½"
Weight: 1 lb. (0.47 kg)

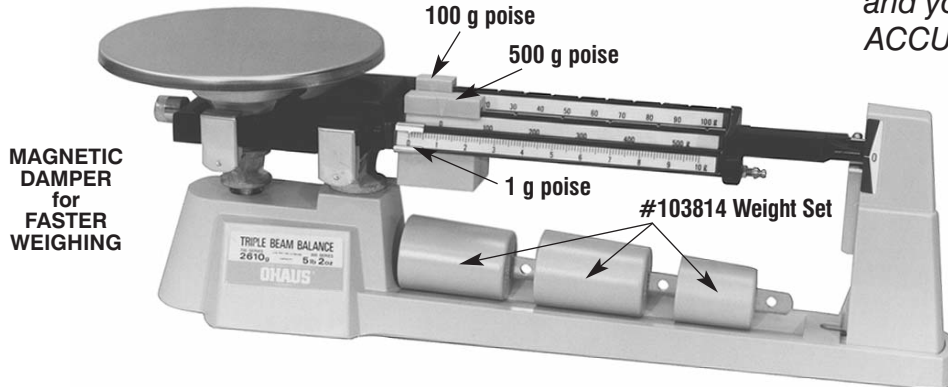
Item #	Grams/Readability	Ounces/Readability	Accuracy	CLOSE-OUT Prices
124568	5000 g x 2 g	11 lbs. 0.4 oz./0.1 oz.	±0.35 g	\$ 90.00
106529	6000 g x 1 g	13 lbs. 4 oz./0.05 oz.	±1 g	499.00

***First come, First serve — while supplies last!**

TRIPLE-BEAM BALANCE SCALE

Also for Dry-Color
and Additives

Controlling molded part QUALITY
and your COST begins with
ACCURATE PART WEIGHT!



MAGNETIC DAMPER
for
FASTER
WEIGHING

CAPACITY:
610 Grams
(2,610 Grams with weights)

SENSITIVITY:
0.1 Gram

Item #	Description	Prices
103793	Triple-Beam Balance complete with #103814 weights	\$144.90
103800	Triple-Beam Balance (weights are not included)	117.90
Optional Accessories		
103814	Weights (set of 3; 2-1000 g, 1-500 g)	\$35.90
103786	Dust cover	Inquire