



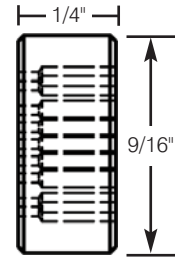
IMS Color Dispersion Plug

For use in Modified Nozzle Tips



Color Dispersion Plugs
for use in *modified Nozzle Tips*

IMS #	Diameter	Depth	Hole Count	Hole Size	Prices
144182	5/8"	1/4"	19	.025"	\$20.80
144183	5/8"	1/4"	19	.050"	19.65

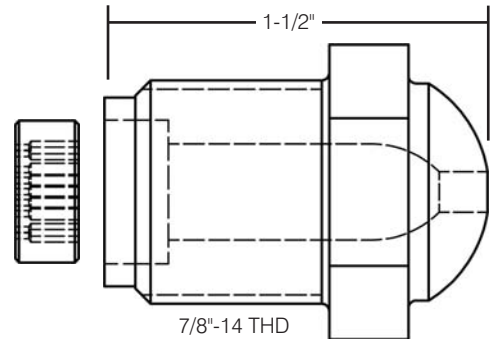


Nozzle tip needs to be counterbored to receive plug

Special Color Dispersion Nozzle Tips

*Pre-Counterbored to accept
Color Dispersion Plugs 144182 & 144183*

Orifice	1/2" Radius	3/4" Radius	Price
1/16	145520	145531	Inquire
3/32	145521	145532	
1/8	145522	145533	
5/32	145523	145534	
3/16	145524	145535	
7/32	145525	145536	
1/4	145526	145537	
9/32	145527	145538	
5/16	145528	145539	
11/32	145529	145540	
3/8	145530	145541	

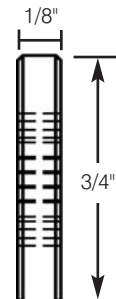


IMS Color Dispersion Disc

For use with Standard Nozzle Tips

Color Dispersion Disc
for *external application*

IMS #	Diameter	Depth	Hole Count	Hole Size	Prices
144173	3/4"	1/8"	19	.025"	\$22.85
144174	3/4"	1/8"	19	.050"	19.55



NO tip modification necessary

*Goes between
nozzle body and nozzle tip!*

