



Full-Port Ball Valves

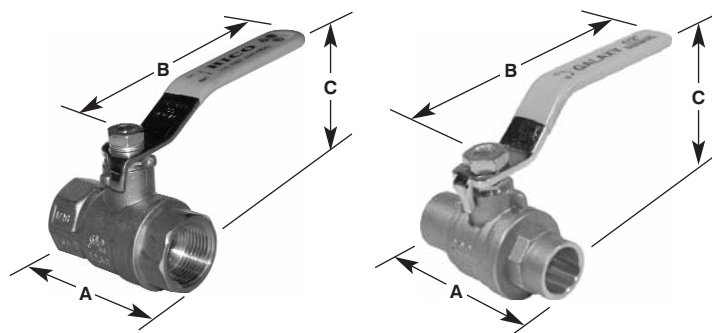
Prevents fluid loss during mold changes

Certifications: NSF-61, CSA-AGA, UL, FM

Specifications and Prices					
N.P.T.	Length (A)	Handle Length (B)	Height (C)	Item #	Prices
1/4"	1.96"	3.43"	1.57"	103937	\$ 6.85
3/8"	1.96"	3.43"	1.57"	103778	6.85
1/2"	2.28"	3.35"	1.77"	101424	6.50
3/4"	2.44"	3.35"	1.89"	103809	8.50
1"	3.03"	4.61"	2.20"	103803	12.55
1 1/4"	3.46"	4.61"	2.36"	105621	19.95
1 1/2"	3.94"	6.30"	3.15"	105620	29.75
2"	4.45"	6.30"	3.15"	128071	40.70

Stainless Steel and Male x Female Valves Available — INQUIRE

- Durable forged brass construction
- Easy installation
- 1/4 turn shut off
- Full-flow design
- Virgin PTFE seats and seals
- Blowout-proof stem
- Zinc-plated steel handle with plastic hand grip
- Chrome-plated ball
- Working pressure: 600 psi (water oil gas)
- Temperature range: 0° F to 300 F



Full-Port &
Full-Port Economy Female

Full-Port Economy
Solder

Full-Port Economy Ball Valves

When certification is not necessary



Value-Priced Supplies

Specifications and Prices								
N.P.T.	— Length —		Handle Length (B)	Height (C)	Female x Female		Solder	
	F x F (A)	Solder (A)			Item #	Prices	Item #	Prices
1/4"	1.69"	—	3.43"	1.83"	132668	\$ 4.95	N/A	
3/8"	1.69"	—	3.43"	1.83"	132664	4.95	N/A	
1/2"	1.89"	2.15"	3.43"	2.03"	135928	4.95	136104	\$ 5.70
3/4"	2.28"	3.64"	3.70"	2.24"	135929	6.50	134240	8.65
1"	2.64"	3.27"	4.61"	2.48"	132666	9.70	136105	14.10
1 1/4"	3.11"	3.76"	4.61"	2.79"	132756	16.65	136106	20.20
1 1/2"	3.58"	4.13"	5.59"	3.29"	132667	25.05	136107	32.00
2"	4.11"	4.84"	5.59"	3.62"	132729	37.05	136108	46.90

Stainless Steel and Male x Female Valves Available — INQUIRE



www.imscompany.com | phone order toll-free (USA & Canada) **1.800.537.5375**

fax order toll-free (USA & Canada) | phone order toll-free (Mexico) | tech support toll-free (USA & Canada) | e-mail
1.888.288.6900 | **001.888.304.1307** | **1.866.467.9001** | **sales@imscompany.com**

