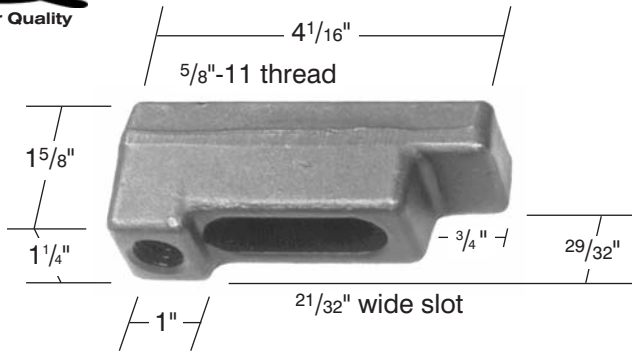
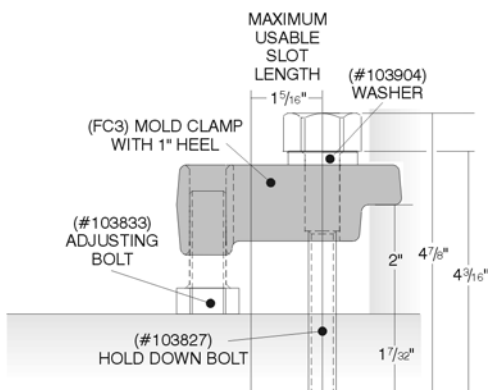
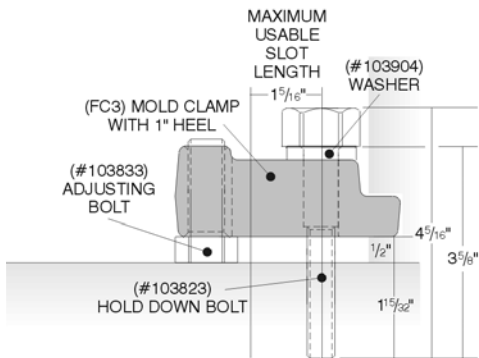
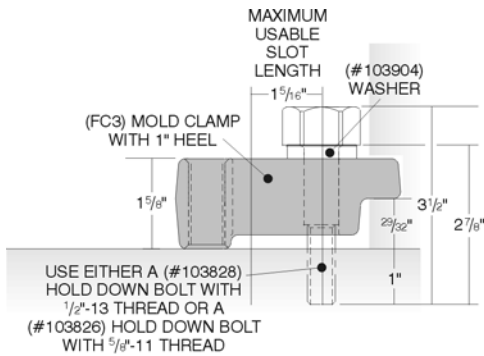




IMS MAXX™ FC3 Mold Clamps, Washers and Bolts



Specifications and Prices



For 29/32" Mold Flanges (requires one of each item)

Item #	Description	Size	Prices (each)
103908	FC3 Mold Clamp	4 1/16" l x 1 1/4" w x 2 1/32" wide slot	\$15.10
103904	Washer	1 1/4" O.D., 2 1/32" I.D. x 1/4"	1.75
103828	Hold down bolt OR	1/2"-13 THD, 2 7/8" l	9.75
103826	Hold down bolt	5/8"-11 THD, 2 7/8" l	9.35

For 1/2" - 29/32" Mold Flanges (requires one of each item)

Item #	Description	Size	Prices (each)
103908	FC3 Mold Clamp	4 1/16" l x 1 1/4" w x 2 1/32" wide slot	\$15.10
103904	Washer	1 1/4" O.D., 2 1/32" I.D. x 1/4"	1.75
103833	Adjusting bolt	5/8"-11 THD, 1 3/4" l	7.25
103823	Hold down bolt	5/8"-11 THD, 3 5/8" l	10.25

For 1 13/32" - 2" Mold Flanges (requires one of each item)

Item #	Description	Size	Prices (each)
103908	FC3 Mold Clamp	4 1/16" l x 1 1/4" w x 2 1/32" wide slot	\$15.10
103904	Washer	1 1/4" O.D., 2 1/32" I.D. x 1/4"	1.75
103833	Adjusting bolt	5/8"-11 THD, 1 3/4" l	7.25
103827	Hold down bolt	5/8"-11 THD, 4 3/16" l	10.90

**Don't see what you need?
Call and ask a tech today: 866 467 9001**



www.imscompany.com | phone order toll-free (USA & Canada) **1.800.537.5375**

fax order toll-free (USA & Canada) | phone order toll-free (Mexico) | tech support toll-free (USA & Canada) | e-mail
1.888.288.6900 | **001.888.304.1307** | **1.866.467.9001** | sales@imscompany.com

