



Air-Operated Air Knife Ionizer

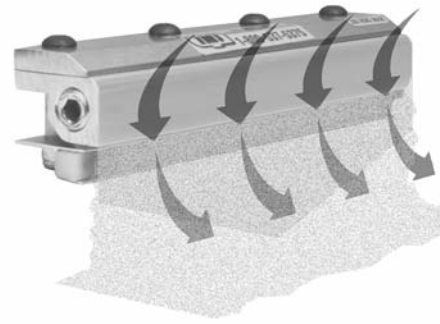
Neutralize static charges

The EXAIR-Ionizer™ solves the problems of static charge build-up. Use it on parts conveyors, parts discharge chutes, machine beds and worktables. It quickly and safely neutralizes static electricity on plastic parts, eliminating sticking parts, dust attraction and static shock hazards. The product is easy to operate and install. Simply connect clean air and a power supply and then mount close to the parts.

- Ionizing range: up to 20'
- Cleans parts as it neutralizes
- Bar lengths from 6' to 48'
- Duplex outlet for use with two bar assemblies
- 6' grounded power cord with plug
- Ionizing bar with 5' connector cable
- Power supply (110/60/1)
- 1/4"-18 N.P.T. air supply inlet

Note: Do not use near flammable materials or gases. Power supply, ionizing bar, and mounting surface must be well grounded.

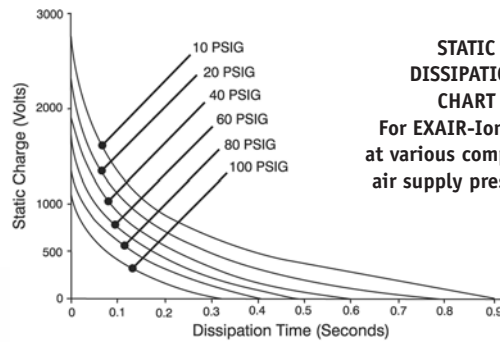
The EXAIR-Ionizer™ has no moving parts. With proper filtration, it will operate for years with no maintenance required. (Proper filter must be used to maintain warranty)



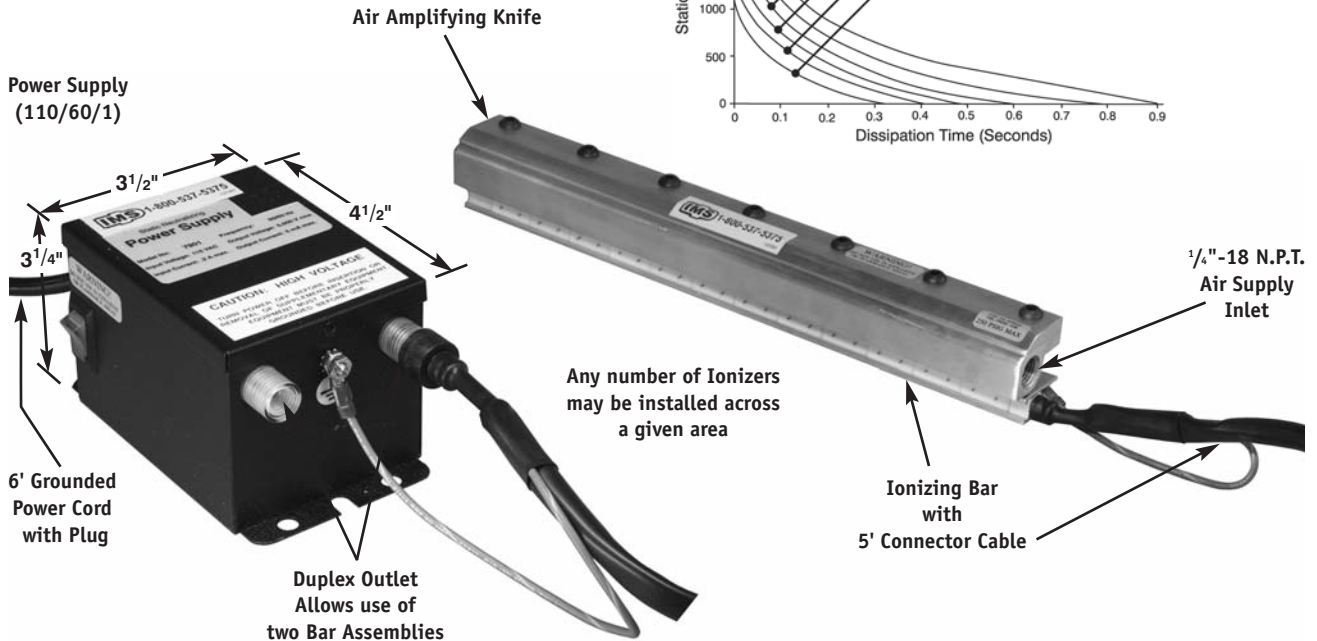
How the EXAIR-Ionizer™ works

The EXAIR-Ionizer™ consists of an EXAIR-Knife™ (see page 659) in combination with an electrically operated air-ionizing bar, which creates a curtain of ionized air. This charged field, consisting of both positive and negative ions, imparts a balancing charge to any material passing near it. Though positive and negative ions tend to recombine very quickly, the air knife's high velocity air stream delivers the ion cloud to the work surface before the ions have an opportunity to recombine. Thus, the EXAIR-Ionizer™ can achieve effective neutralization at distances not possible before. The high velocity air stream from the EXAIR-Knife™ also blows loose dust and dirt from the neutralized surface.

EXAIR-Ionizer™ Performance (Dissipation Rate 12" from target)



STATIC DISSIPATION CHART
For EXAIR-Ionizer™ at various compressed air supply pressures.



EXAIR® and EXAIR-Ionizer™ are trademarks of EXAIR Corp.



www.imscompany.com | phone order toll-free (USA & Canada) **1.800.537.5375**

fax order toll-free (USA & Canada) | phone order toll-free (Mexico) | tech support toll-free (USA & Canada) | e-mail
1.888.288.6900 | **001.888.304.1307** | **1.866.467.9001** | sales@imscompany.com



Specifications and Prices

Construction: Knife - aluminum (stainless steel available)
 ionizing bar:
 emitters - stainless steel
 bar channel - aluminum
 plastic parts - UL rated 94HB
 ionizing bar cable will withstand 50kV
 peak for 5 min.

Certifications: Ionizing bars are UL component
 recognized (CSA certified)
Output: 5 kVrms for a sine wave
 or 7kVpeak for other wave forms
 (Use power supply limited to 5 mA max.)

Electrical Hazard: Shockless (less than 0.04 mA per point
 short circuited)

Max. Ambient Temperature: 165° F (73° C)

Air Inlets: 1/4" NPT on both ends

Air Flow Length*	Air Knife and Ionizing Bar		Air Knife, Ionizing Bar and Power Supply		Air Consumption at 80 psi
	Item #	Prices	Item #	Prices	
3"	144326	\$229.90	144331	\$ 489.90	10.25 CFM
6"	107424	259.90	104450	469.90	20.5 CFM
9"	144327	324.00	144332	579.90	30 CFM
12"	107422	311.90	104447	524.90	41 CFM
18"	107421	368.90	104446	589.90	61.5 CFM
24"	107418	429.90	104445	639.90	82 CFM
30"	107416	524.90	104455	696.90	102.5 CFM
36"	144328	629.90	144333	829.90	123 CFM
42"	144329	713.00	144334	973.00	143.5 CFM
48"	138475	796.00	144330	1056.00	164 CFM

Special length Ionizing Bars up to 119" are available — Inquire

Spare Parts

Air Flow Length*	Ionizing Bar and Cable Only		Air Knife Only	
	Item #	Prices	Item #	Prices
3"	144322	\$116.00	144313	\$109.00
6"	107420	133.90	104468	119.90
9"	144323	165.00	144314	146.00
12"	107417	156.90	104467	139.90
18"	107414	189.90	104471	174.90
24"	107410	205.90	104470	197.90
30"	107423	229.90	104469	254.90
36"	144324	280.00	144310	342.00
42"	144325	305.00	144311	388.00
48"	141728	330.00	144312	446.00

*Actual length of knife is 1" greater than air flow length

NOTE: Air Knives can be combined for longer lengths. Due to the 1/2" of dead-space on each end of the knife, end to end mounting leaves 1" gaps in the air curtain. See Super Air Knife (page 660) for continuous end to end coverage.

See *Optional Accessories on Next Page*
 (Shim Kits, Multiple Outlet Power Supplies, etc.)

Warning: Do not use near flammable materials or gases.
Power supply, ionizing bar, and mounting surface must be well grounded.



www.imscompany.com | phone order toll-free (USA & Canada) 1.800.537.5375

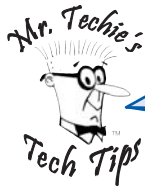
fax order toll-free (USA & Canada) 1.888.288.6900 | phone order toll-free (Mexico) 001.888.304.1307 | tech support toll-free (USA & Canada) 1.866.467.9001 | e-mail sales@imscompany.com





Air-Operated Air Knife Ionizer Optional Accessories

Optional Accessories		
144315	3" Air Knife Shim Kit	\$ 8.60
134267	6" Air Knife Shim Kit	8.90
144316	9" Air Knife Shim Kit	11.50
134268	12" Air Knife Shim Kit	11.40
134269	18" Air Knife Shim Kit	13.90
144317	24" Air Knife Shim Kit	17.90
144318	30" Air Knife Shim Kit	20.90
144319	36" Air Knife Shim Kit	22.10
144320	42" Air Knife Shim Kit	26.40
144321	48" Air Knife Shim Kit	29.90
104454	Air Filter for #104450, #104447	74.90
104452	Air Filter for# 104446, #104445, #104455	124.90
104451	Air Regulator for #104450, #104447	38.90
104448	Air Regulator for #104446, #104445, #104455	63.90
107413	5' connector cable extension	63.90
106717	2 Outlet Power Supply 115V	219.90
138476	4 Outlet Power Supply 115V	299.90
144339	Universal Air Knife Mounting System (use 2 mounting kits for knives over 24" long)	164.90



Install a pressure gauge right before your air knife to insure you are receiving an accurate pressure reading.
Use a tooth brush to keep Static Air Knife Ionizer clean for consistent operation.

— Upgrade to a **Super Air Knife** —
GREATER air amplification with LESS noise.



See page 660



= Highest Quality & Value Products



= Industry Standard Quality Products



= Value-Priced Supplies



www.imscompany.com | phone order toll-free (USA & Canada) **1.800.537.5375**

fax order toll-free (USA & Canada)

phone order toll-free (Mexico)

tech support toll-free (USA & Canada)

e-mail

1.888.288.6900

001.888.304.1307

1.866.467.9001

sales@imscompany.com

