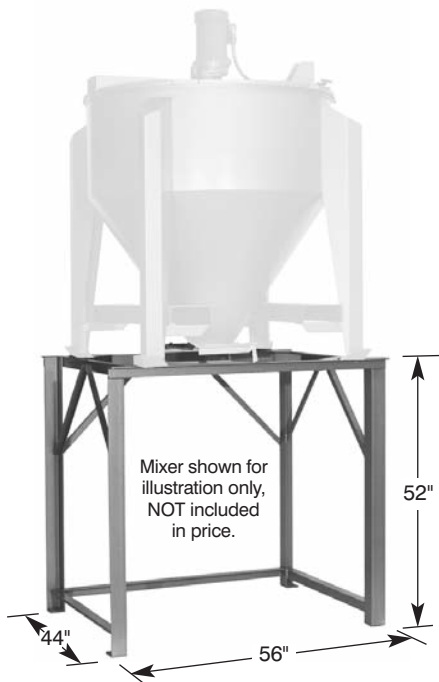


Hurricane Mixer Unloading and Loading Fixtures

Improve operator safety and convenience



Photo below shows a Model HM500 Mixer atop a 52" high Discharge Frame. When the mixing cycle has been completed, the operator needs only to open the mixer slidegate and allow the contents of the mixer to flow neatly into the gayload below. The entire load is then easily transported to wherever it is needed via forklift.



Mixer shown for illustration only, NOT included in price.



MIXER DISCHARGE FRAME

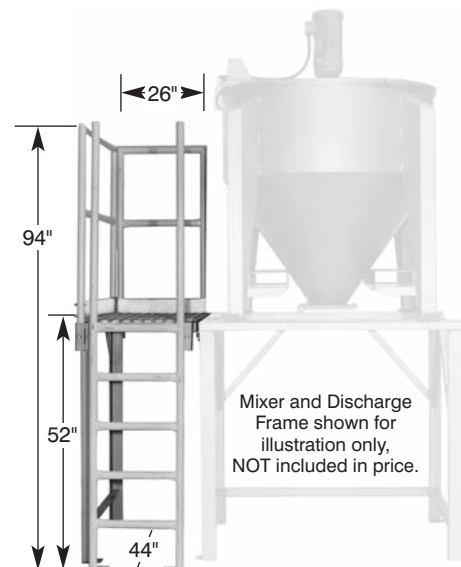
For Drum & Gaylord Loading

Works with all IMS storage hoppers and Hurricane Mixers

Item #	Description	Price
107859	Mixer Discharge Frame only	\$1,012

MIXER LOADING PLATFORM

Enables operator to **LOAD, INSPECT & CLEAN MIXER** without having to lower it to the floor



Mixer and Discharge Frame shown for illustration only, NOT included in price.

Item #	Description	Price
107889	Loading Platform only	Inquire



www.imscompany.com | phone order toll-free (USA & Canada) **1.800.537.5375**

fax order toll-free (USA & Canada) 1.888.288.6900 | phone order toll-free (Mexico) 001.888.304.1307 | tech support toll-free (USA & Canada) 1.866.467.9001 | e-mail sales@imscompany.com

