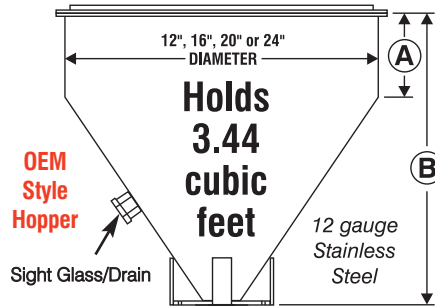
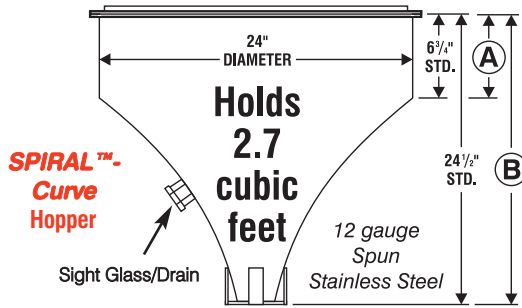
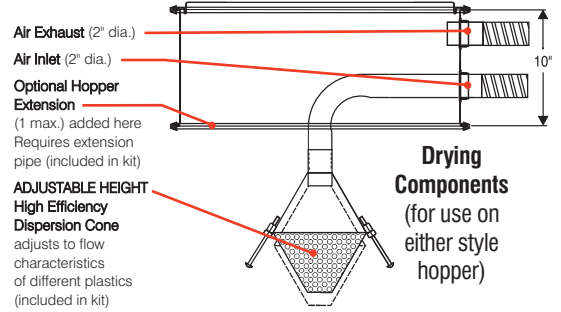
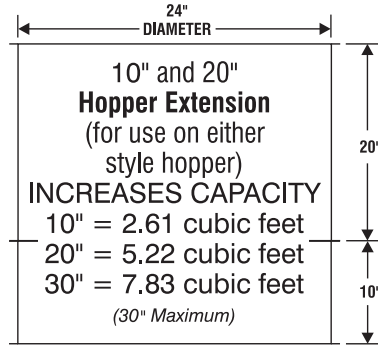


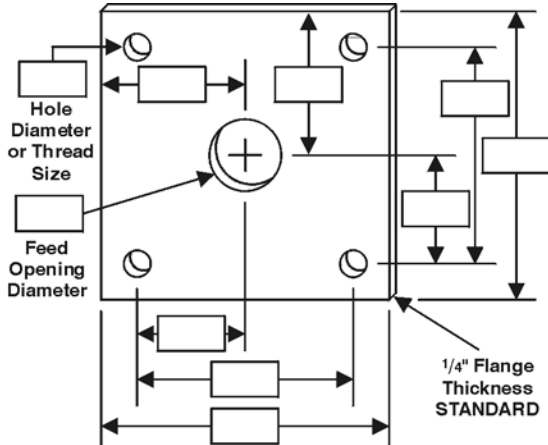
IMS Replacement Hoppers and Accessories

Hopper: Item # _____
 Options: Item # _____
 Item # _____
 Item # _____
 Item # _____
 Item # _____



HOPPER DIMENSIONS		
Dia.	A	B
12"	7"	15 ⁷ / ₈ "
16"	9 ³ / ₈ "	21 ³ / ₄ "
20"	10"	25 ¹ / ₂ "
24"	6 ³ / ₄ "	26"

Custom Mounting Flange Dimensions (Specify)



Date: _____
 P.O.#: _____
 Name: _____
 Title: _____
 Company: _____
 Address: _____
 City: _____
 State: _____
 Zip: _____

Phone: (_____) _____ FAX: (_____) _____

E-mail: _____

Machine Make: _____

Tonnage: _____

I understand that this item will be made to my specifications. No changes can be made after receipt of order. It is a non-returnable item unless defective or IMS error.

Signature: _____

Note: Other flange configurations will be promptly quoted from your sketch or blueprint.



www.imscompany.com | phone order toll-free (USA & Canada) **1.800.537.5375**

fax order toll-free (USA & Canada) 1.888.288.6900 | phone order toll-free (Mexico) 001.888.304.1307 | tech support toll-free (USA & Canada) 1.866.467.9001 | e-mail sales@imscompany.com

